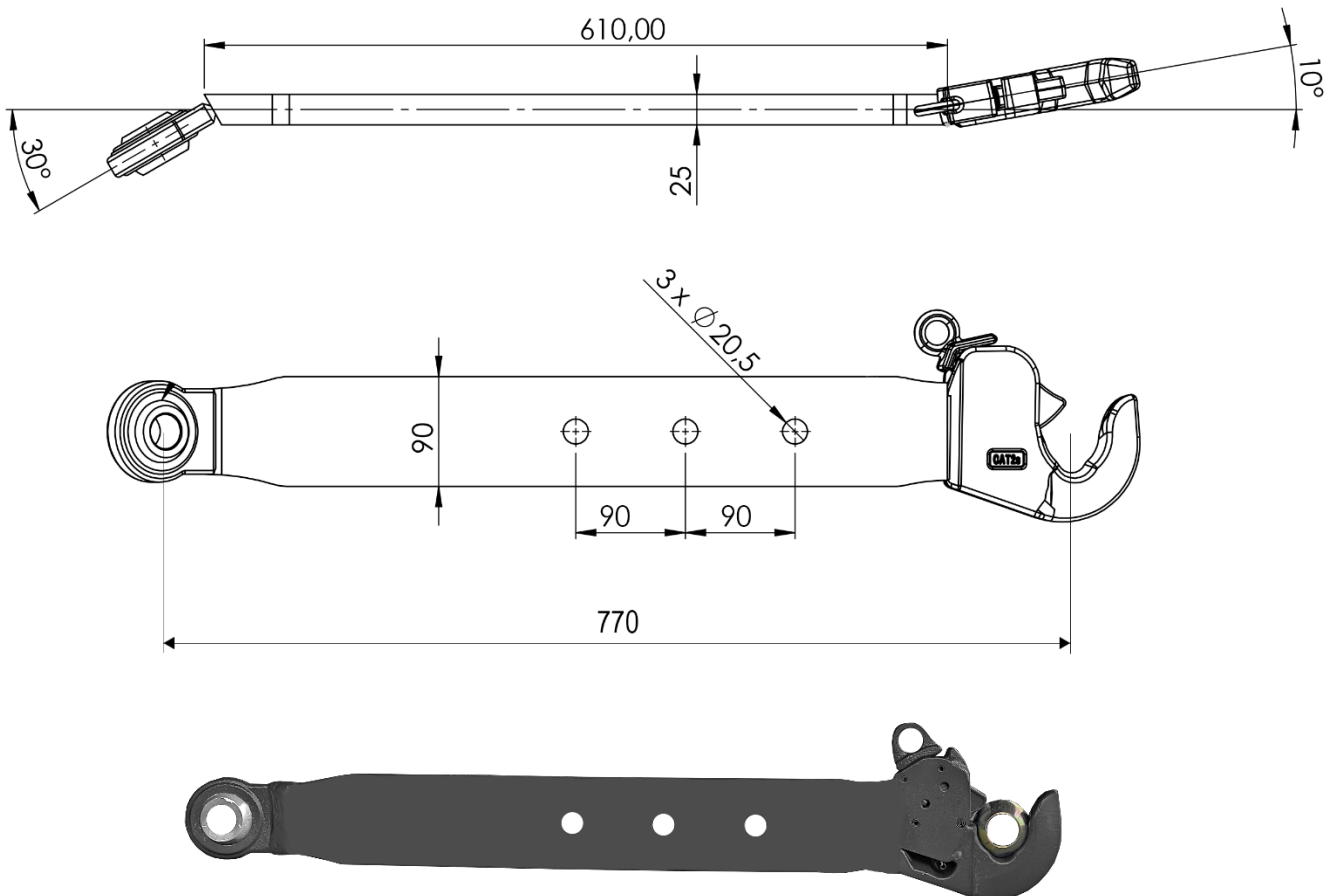


DATASHEET – DIMENSIONS

11777 - TRACTOR THREE-POINT HITCH LOWER LIFT ARMS CAT.2 - 70x20 mm - 770 mm (75 HP)



Technical information	
Weight:	13,4 kg
Hooks:	Automatic Hooks (CAT. 2)
Material:	S355 Steel
Surface protection:	Painted
Thickness:	25 mm
Length:	770 mm (ball center to ball center)
Suitable for tractors:	up to 75 HP